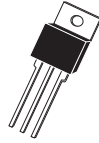


2N6040 2N6041 2N6042 PNP
2N6043 2N6044 2N6045 NPN

**COMPLEMENTARY SILICON POWER
DARLINGTON TRANSISTORS**



TO-220 CASE



www.centrasemi.com

DESCRIPTION:

The CENTRAL SEMICONDUCTOR 2N6040 and 2N6043 Series types are Complementary Silicon Power Transistors, manufactured by the epitaxial base process, designed for general purpose amplifier applications.

MARKING: FULL PART NUMBER

MAXIMUM RATINGS: ($T_C=25^\circ\text{C}$)

Collector-Base Voltage
Collector-Emitter Voltage
Emitter-Base Voltage
Continuous Collector Current
Peak Collector Current
Base Current
Power Dissipation
Operating and Storage Junction Temperature
Thermal Resistance

SYMBOL	2N6040	2N6041	2N6042	UNITS
	2N6043	2N6044	2N6045	
V_{CBO}	60	80	100	V
V_{CEO}	60	80	100	V
V_{EBO}		5.0		V
I_C		8.0		A
I_{CM}		16		A
I_B		120		mA
P_D		75		W
T_J, T_{stg}		-65 to +150		$^\circ\text{C}$
θ_{JC}		1.67		$^\circ\text{C/W}$

ELECTRICAL CHARACTERISTICS: ($T_C=25^\circ\text{C}$ unless otherwise noted)

SYMBOL	TEST CONDITIONS	MIN	MAX	UNITS
V_{CB0}	$V_{CB}=\text{Rated } V_{CB0}$		20	μA
V_{CEV}	$V_{CE}=\text{Rated } V_{CEO}, V_{BE(\text{OFF})}=1.5\text{V}$		20	μA
I_{CEV}	$V_{CE}=\text{Rated } V_{CEO}, V_{BE(\text{OFF})}=1.5\text{V}, T_C=150^\circ\text{C}$		200	μA
I_{CEO}	$V_{CE}=\text{Rated } V_{CEO}$		20	μA
I_{EBO}	$V_{EB}=5.0\text{V}$		2.0	mA
BV_{CEO}	$I_C=100\text{mA}$ (2N6040, 2N6043)	60		V
BV_{CEO}	$I_C=100\text{mA}$ (2N6041, 2N6044)	80		V
BV_{CEO}	$I_C=100\text{mA}$ (2N6042, 2N6045)	100		V
$V_{CE(\text{SAT})}$	$I_C=4.0\text{A}, I_B=16\text{mA}$ (2N6040, 2N6041, 2N6043, 2N6044)		2.0	V
$V_{CE(\text{SAT})}$	$I_C=3.0\text{A}, I_B=12\text{mA}$ (2N6042, 2N6045)		2.0	V
$V_{CE(\text{SAT})}$	$I_C=8.0\text{A}, I_B=80\text{mA}$		4.0	V
$V_{BE(\text{SAT})}$	$I_C=8.0\text{A}, I_B=80\text{mA}$		4.5	V
$V_{BE(\text{ON})}$	$V_{CE}=4.0\text{V}, I_C=4.0\text{A}$		2.8	V
h_{FE}	$V_{CE}=4.0\text{V}, I_C=4.0\text{A}$ (2N6040, 2N6041, 2N6043, 2N6044)	1,000	20,000	
h_{FE}	$V_{CE}=4.0\text{V}, I_C=3.0\text{A}$ (2N6042, 2N6045)	1,000	20,000	
h_{FE}	$V_{CE}=4.0\text{V}, I_C=8.0\text{A}$	100		

R1 (16-November 2009)

2N6040 2N6041 2N6042 PNP
 2N6043 2N6044 2N6045 NPN

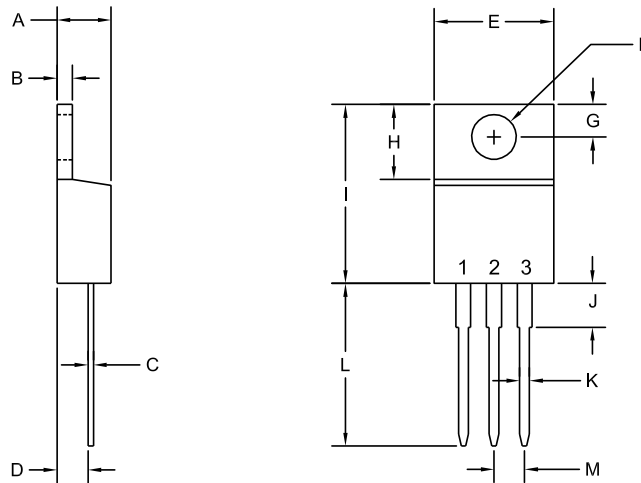


**COMPLEMENTARY SILICON POWER
 DARLINGTON TRANSISTORS**

ELECTRICAL CHARACTERISTICS - Continued: ($T_C=25^\circ\text{C}$ unless otherwise noted)

SYMBOL	TEST CONDITIONS	MIN	MAX	UNITS
h_{fe}	$V_{CE}=4.0\text{V}$, $I_C=3.0\text{A}$, $f=1.0\text{kHz}$	300		
f_T	$V_{CE}=4.0\text{V}$, $I_C=3.0\text{A}$, $f=1.0\text{MHz}$	4.0		MHz
C_{ob}	$V_{CB}=10\text{V}$, $I_E=0$, $f=100\text{kHz}$ (NPN Types)		200	pF
C_{ob}	$V_{CB}=10\text{V}$, $I_E=0$, $f=100\text{kHz}$ (PNP Types)		300	pF

TO-220 CASE - MECHANICAL OUTLINE



R2

SYMBOL	DIMENSIONS			
	INCHES		MILLIMETERS	
	MIN	MAX	MIN	MAX
A	0.170	0.190	4.31	4.82
B	0.045	0.055	1.15	1.39
C	0.013	0.026	0.33	0.65
D	0.083	0.107	2.10	2.72
E	0.394	0.417	10.01	10.60
F (DIA)	0.140	0.157	3.55	4.00
G	0.100	0.118	2.54	3.00
H	0.230	0.270	5.85	6.85
I	0.560	0.625	14.23	15.87
J	-	0.250	-	6.35
K	0.025	0.038	0.64	0.96
L	0.500	0.579	12.70	14.70
M	0.090	0.110	2.29	2.79

TO-220 (REV: R2)

LEAD CODE:

- 1) BASE
- 2) COLLECTOR
- 3) EMITTER
- 4) COLLECTOR

MARKING:

FULL PART NUMBER

R1 (16-November 2009)

OUTSTANDING SUPPORT AND SUPERIOR SERVICES



PRODUCT SUPPORT

Central's operations team provides the highest level of support to insure product is delivered on-time.

- Supply management (Customer portals)
- Inventory bonding
- Consolidated shipping options
- Custom bar coding for shipments
- Custom product packing

DESIGNER SUPPORT/SERVICES

Central's applications engineering team is ready to discuss your design challenges. Just ask.

- Free quick ship samples (2nd day air)
- Online technical data and parametric search
- SPICE models
- Custom electrical curves
- Environmental regulation compliance
- Customer specific screening
- Up-screening capabilities
- Special wafer diffusions
- PbSn plating options
- Package details
- Application notes
- Application and design sample kits
- Custom product and package development

CONTACT US

Corporate Headquarters & Customer Support Team

Central Semiconductor Corp.
145 Adams Avenue
Hauppauge, NY 11788 USA
Main Tel: (631) 435-1110
Main Fax: (631) 435-1824
Support Team Fax: (631) 435-3388
www.centalsemi.com

Worldwide Field Representatives:
www.centalsemi.com/wwreps

Worldwide Distributors:
www.centalsemi.com/wwdistributors

For the latest version of Central Semiconductor's **LIMITATIONS AND DAMAGES DISCLAIMER**, which is part of Central's Standard Terms and Conditions of sale, visit: www.centalsemi.com/terms